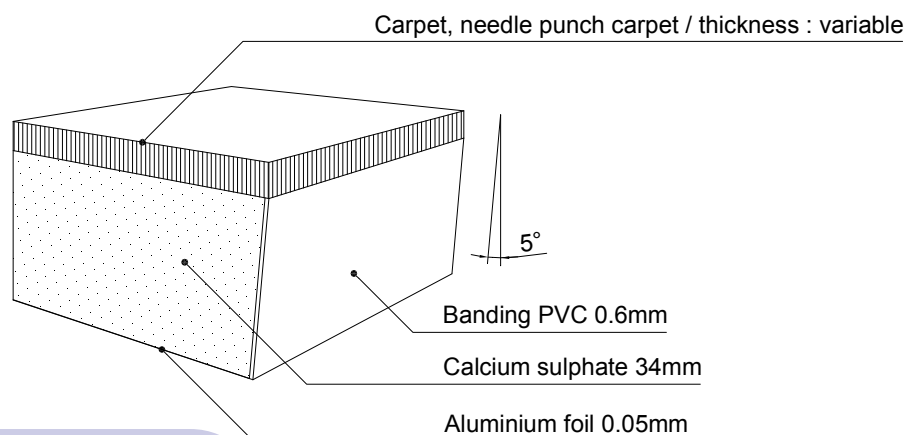


Technical datasheet



34 GAB-T

Tested according the European norm 12825

General characteristics

Measurements	:	600 x 600 mm
Weight	:	+/- 18,5 kgs
Core	:	34 mm Calcium Sulphate Knauf - density 1500 kgs/m ³
Bottom side	:	Aluminiumfoil 0,05 mm
Upper side	:	Covered with carpet or needle punch carpet
Edge banding	:	PVC 0,6 mm

System characteristics

Class of element	:	2
Ultimate load	:	≥ 6 kN
Safety factor	:	2
Point load (= ultimate load/safety factor)	:	3 kN
Class of deflection (max 2,5mm deflection by 3Kn)	:	A
Divided load per m ² (Theoretical value)	:	15kN–20kN / m ²

Fire characteristics

Fire resistance	:	F30 according DIN 4102-2
Fire reaction	:	Class A2 according DIN 4102-1

Electrical resistance

10⁷ - 10¹⁰Ω

Other values are possible by the use of conductive banding and conductive glue.

complete certificates on request

Jansen Products NV

Fabriekstraat 4
3670 Meeuwen
BELGIUM

Tel : +32 11 79 33 00
Fax: +32 11 79 33 01
info@jansenproducts.be
www.groupjansen.com

 **jansen** PRODUCTS NV
INTERNATIONAL