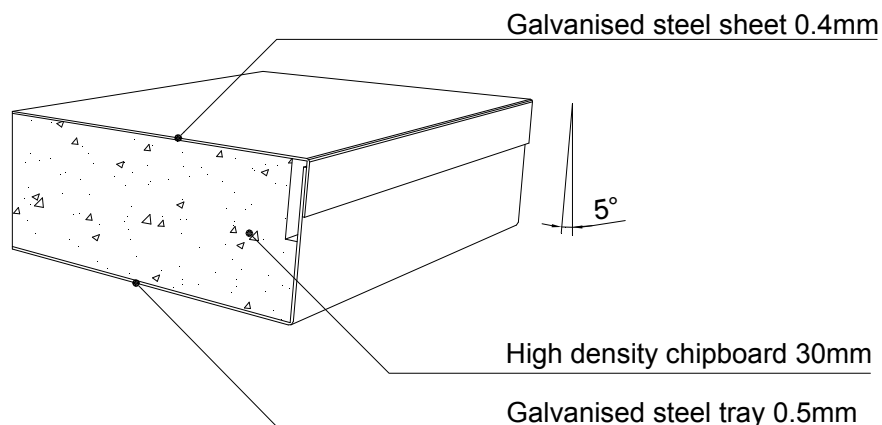


Technical datasheet



SB 30 H

Tested according the British standard PSA/MOB norm

General characteristics

Measurements	:	600 x 600 mm
Weight	:	+/- 11 kgs
Core	:	28 mm chipboard - density 760 kgs/m ³ -E1
Bottom side	:	Galvanised steel tray 0,5mm
Upper side	:	Galvanised steel 0,4mm

System characteristics

Class of element	:	2
Ultimate load	:	≥ 9 kN
Safety factor	:	3
Point load (= ultimate load/safety factor)	:	3 kN
Class of deflection (max 2,5mm deflection by 3Kn)	:	A
Divided load per m ² (Theoretical value)	:	15kN–20kN /m ²

Electrical resistance

Maximum 2 x 10⁵Ω

Jansen Products NV

Fabriekstraat 4
3670 Meeuwen
BELGIUM

Tel : +32 11 79 33 00
Fax: +32 11 79 33 01
info@jansenproducts.be
www.groupjansen.com