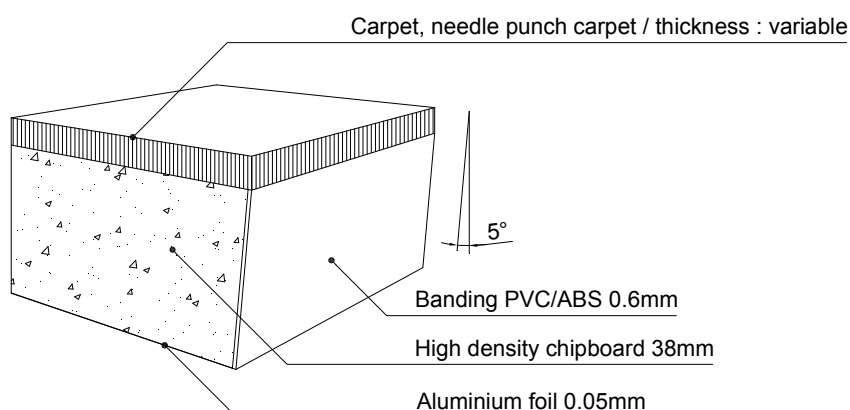


# Technical datasheet



## 38 HAB-T-AS

Tested according the European norm 12825

### General characteristics

|              |   |  |
|--------------|---|--|
| Measurements | : | 600 x 600 mm   |
| Weight       | : | +/- 10 kgs   |
| Core         | : | 28 mm chipboard - density 720 kgs/m <sup>3</sup> -E1 |
| Bottom side  | : | Aluminium foil 0,05mm                                |
| Upper side   | : | Covered with carpet or needle punch carpet           |
| Edge banding | : | PVC/ABS 0,6 mm                                       |

### System characteristics

|  |   |                           |
|--|---|---------------------------|
| Class of element                                       | : | 1                         |
| Ultimate load  | : | ≥ 4 kN                    |
| Safety factor  | : | 2                         |
| Point load<br>(= ultimate load/safety factor)          | : | 2 kN                      |
| Class of deflection<br>(max 2,5mm deflection by 2Kn)   | : | A                         |
| Divided load per m <sup>2</sup><br>(Theoretical value) | : | 10kN–15kN /m <sup>2</sup> |

### Fire characteristics

|                 |   |                               |
|-----------------|---|-------------------------------|
| Fire resistance | : | F30 according DIN 4102-2      |
| Fire reaction   | : | Class B1 according DIN 4102-1 |

### Electrical resistance

≥10<sup>9</sup> <10<sup>10</sup>Ω

Other values are possible by the use of conductive banding and conductive glue.

complete certificates on request

Jansen Products NV

Fabriekstraat 4  
3670 Meeuwen  
BELGIUM

Tel : +32 11 79 33 00  
Fax: +32 11 79 33 01  
info@jansenproducts.be  
www.groupjansen.com

 **jansen** PRODUCTS NV  
INTERNATIONAL